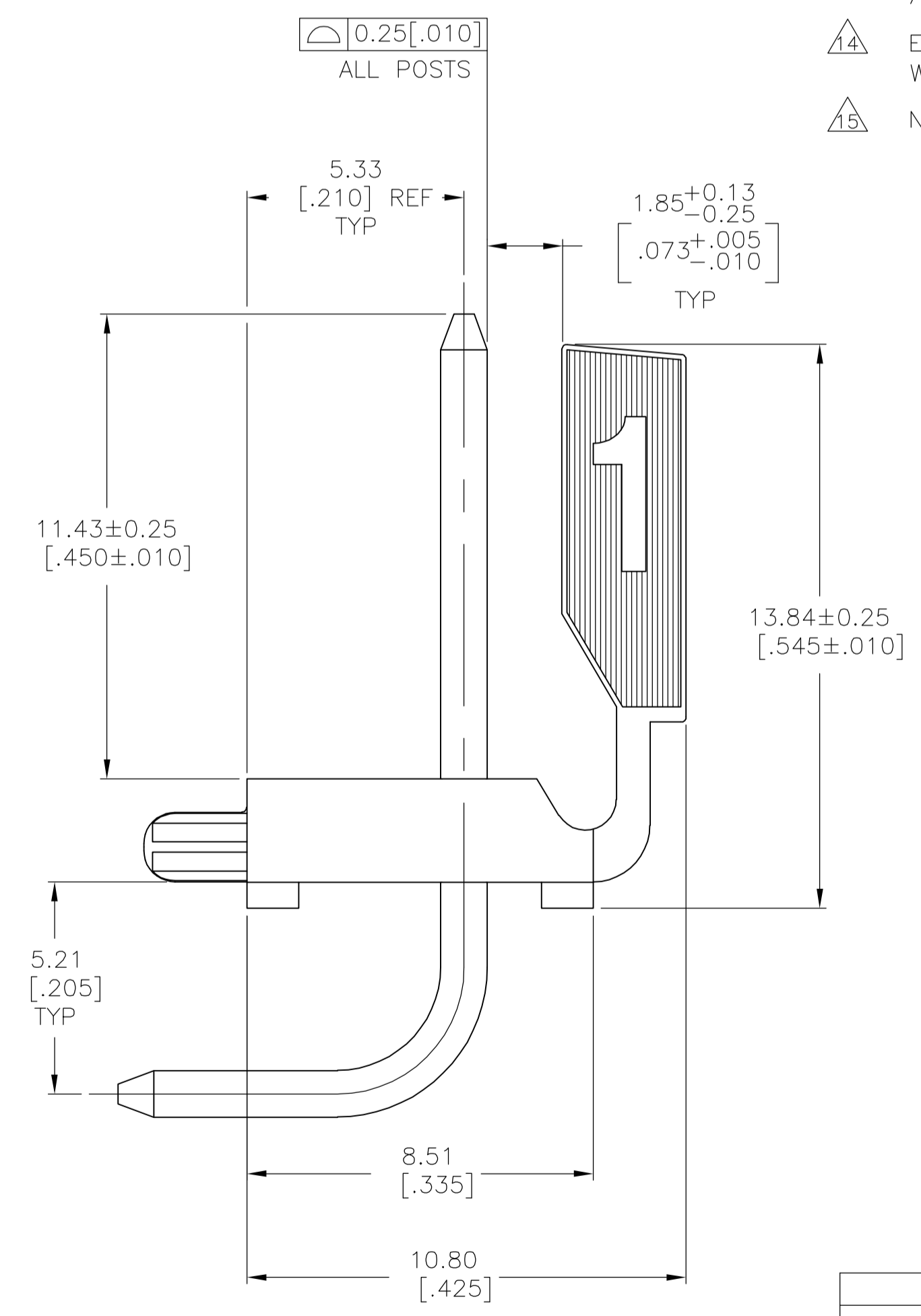
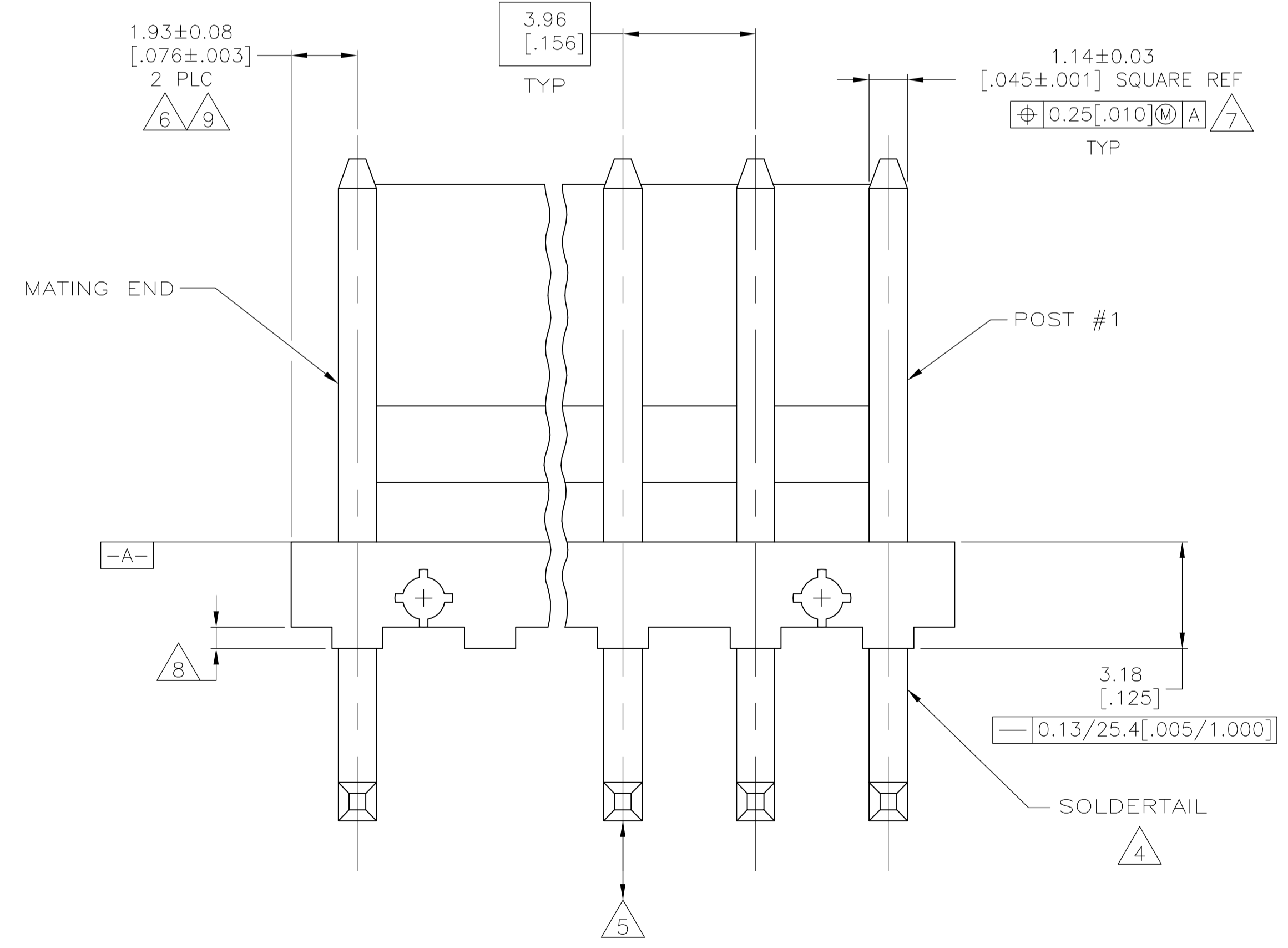
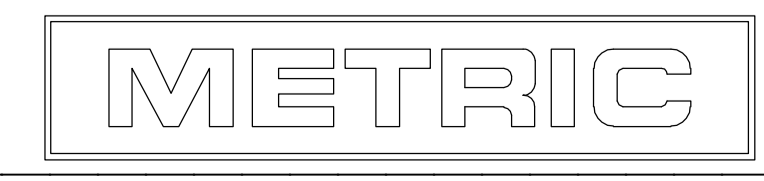
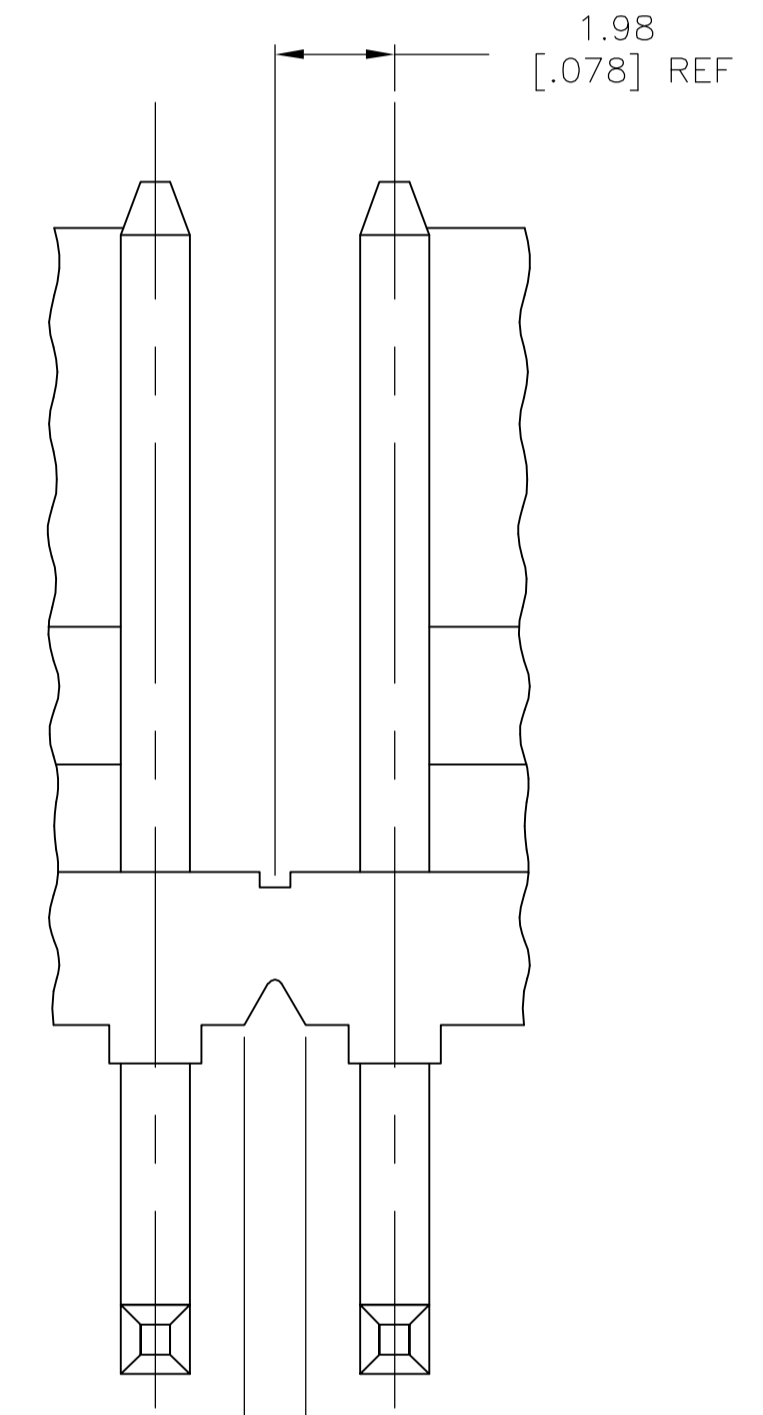
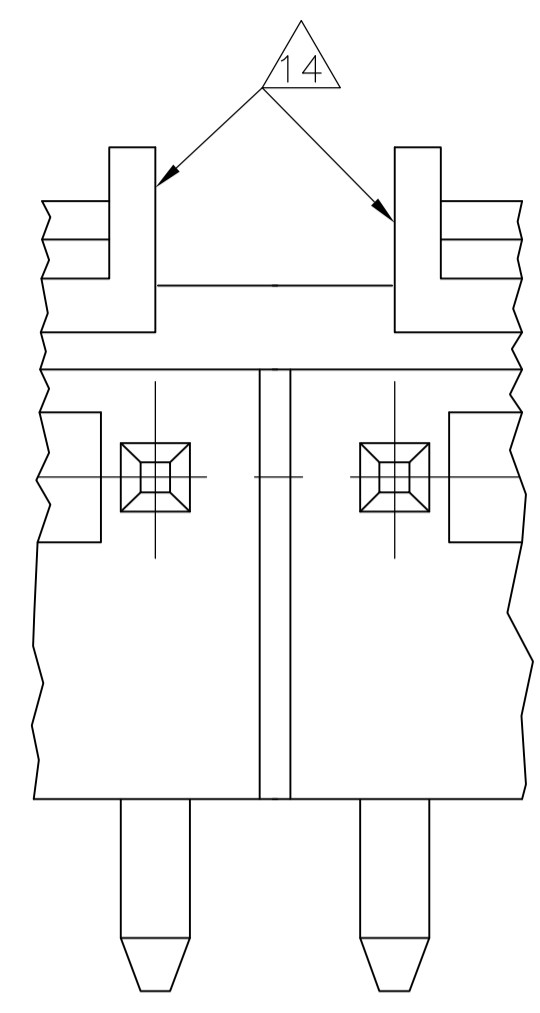


- △1 MATERIAL;
HOUSING: THERMOPLASTIC POLYESTER, GLASS FILLED, UL94V-0.
POST: COPPER ALLOY
 - △2 FINISH;
HOUSING: NATURAL
POST: BRIGHT TIN-LEAD (93/7) PLATE, 0.00380-0.00880 [.000150-.000350] THK OVER NICKEL UNDERPLATE, 0.00130 [.000050] MIN THK OR MATTE TIN PLATE 0.00380-0.00880 [.000150-.000350] OVER NICKEL UNDERPLATE 0.00130 [.000050] MIN THICK IF LEADFREE.
 - △3 UL MARKING MAY NOT APPEAR ON THE 2 OR 3 POSITION SIZES.
CSA MARKING MAY NOT APPEAR ON THE 2 POSITION SIZE.
 - △4 POST SOLDERDETAILS COMPLY WITH AMP SOLDERABILITY SPEC 109-11-2.
 - △5 POST WITHSTANDS 13.34N [3 LB] MIN AXIAL FORCE IN EITHER DIRECTION WITHOUT DISLODGING.
 - △6 APPLIES AT -A- .
 - △7 APPLIES WHEN THE HEADER IS STRAIGHT.
 - △8 PLASTIC PROJECTIONS PERMITTED IN THIS ZONE.
 - △9 COORDINATE DIMENSIONS APPLIES FROM THE CENTER OF THE ACTUAL FEATURE.
 - △10 SOLDER SIDE OF BOARD IS SHOWN.
 - △11 THE RETENTION TABS PROVIDE A ONE-TIME INTERFERENCE FIT IN THE 1.63 [.064] DIAMETER BOARD HOLE FOR HEADER ASSEMBLY RETENTION DURING SOLDERING. FOUR TABS PER PEG, TWO PEGS PER HEADER ASSEMBLY (ONE PEG ONLY FOR 2 POSITION SIZE).
12. DIMENSIONS IN BRACKETS ARE IN INCHES.
- △13 ALL POSITION SIZES HAVE THE BACKWALL NOTCHED ON BOTH ENDS AS SHOWN. THE 2 THRU 5 POSITION SIZES HAVE SOLID BACKWALLS. POSITION SIZES 6 AND ABOVE HAVE AN INTERRUPTED BACKWALL AT VARIOUS LOCATIONS (SEE TABLE FOR INTERRUPTION(S) LOCATIONS).
 - △14 EDGE OF POLARIZING LOCK WALL TO BE IN LINE WITH CENTERLINE OF ADJACENT POST WITHIN ±0.13 [.005].
 - △15 NOTCH SHOWN MAY OR MAY NOT APPEAR.



8	3&4, 6&7	35.53 [1.399]	9	3-647381-9
OMITTED POST(S)	BACKWALL INTERRUPTIONS BETWEEN POSTS	L	NO. OF POSITIONS	PART NUMBER
THIS DRAWING IS A CONTROLLED DOCUMENT.		DWN L McEACHIN 24AUG00 CHK D BOSSI 24AUG00 APVD D BOSSI 24AUG00 NAME Tyco Electronics Corporation Harrisburg, PA 17105-3608 PRODUCT SPEC MTA-156 HEADER ASSEMBLY, POLARIZED LOCK, RIGHT ANGLE FRONT BEND, .045 SQUARE POST, TIN OR TIN LEAD PLATED, WITH PEGS, OMITTED POST APPLICATION SPEC SIZE CASE CODE DRAWING NO WEIGHT A1 00779 C=647381 CUSTOMER DRAWING SCALE 8:1 SHEET 1 OF 2 REV D		
DIMENSIONS: mm [INCHES] TOLERANCES UNLESS OTHERWISE SPECIFIED: 0 PLC ± - 1 PLC ± - 2 PLC ± 0.13 [.005] 3 PLC ± - 4 PLC ± - ANGLES ± - FINISH		THIS DRAWING IS A CONTROLLED DOCUMENT. DWN L McEACHIN 24AUG00 CHK D BOSSI 24AUG00 APVD D BOSSI 24AUG00 NAME Tyco Electronics Corporation Harrisburg, PA 17105-3608 PRODUCT SPEC MTA-156 HEADER ASSEMBLY, POLARIZED LOCK, RIGHT ANGLE FRONT BEND, .045 SQUARE POST, TIN OR TIN LEAD PLATED, WITH PEGS, OMITTED POST APPLICATION SPEC SIZE CASE CODE DRAWING NO WEIGHT A1 00779 C=647381 CUSTOMER DRAWING SCALE 8:1 SHEET 1 OF 2 REV D		

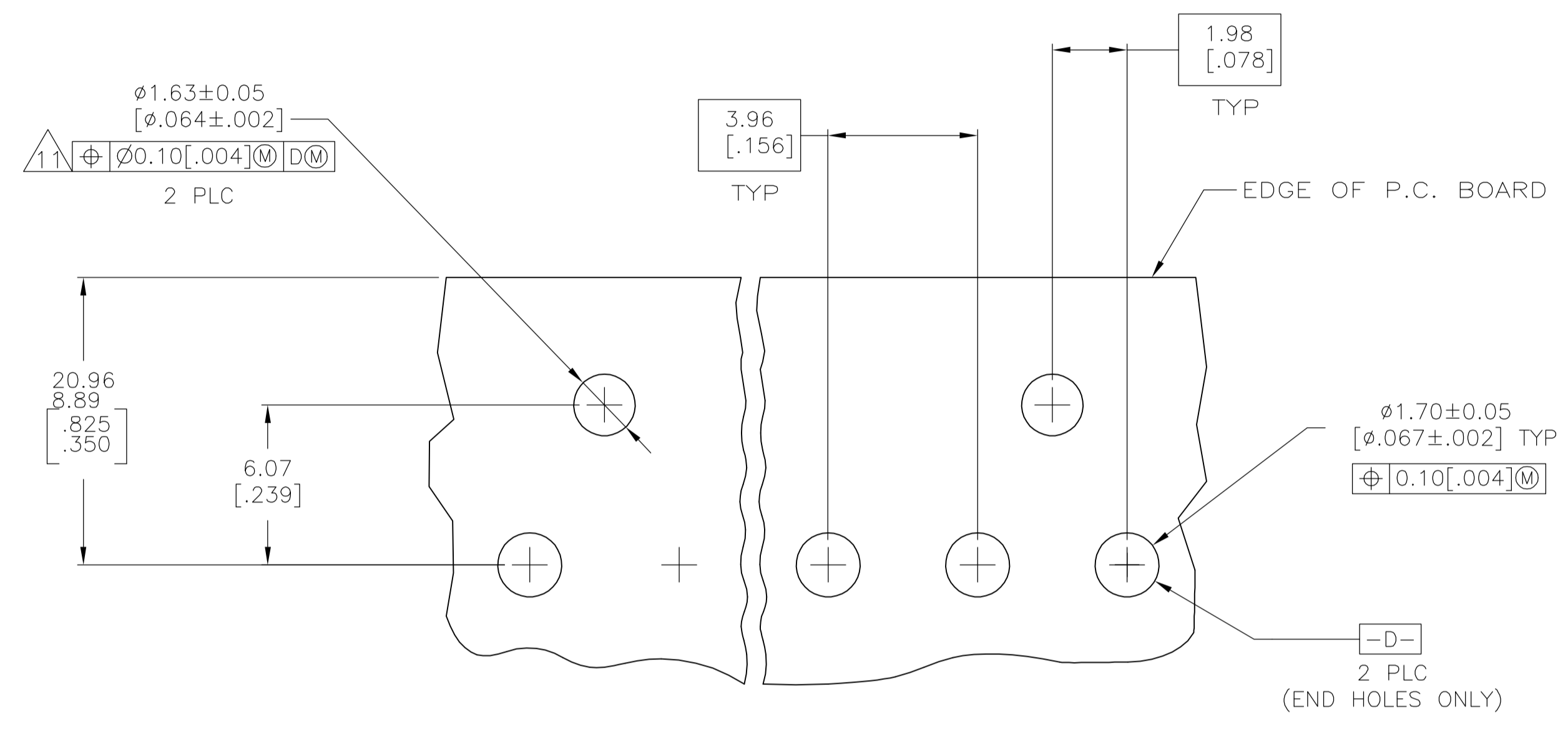




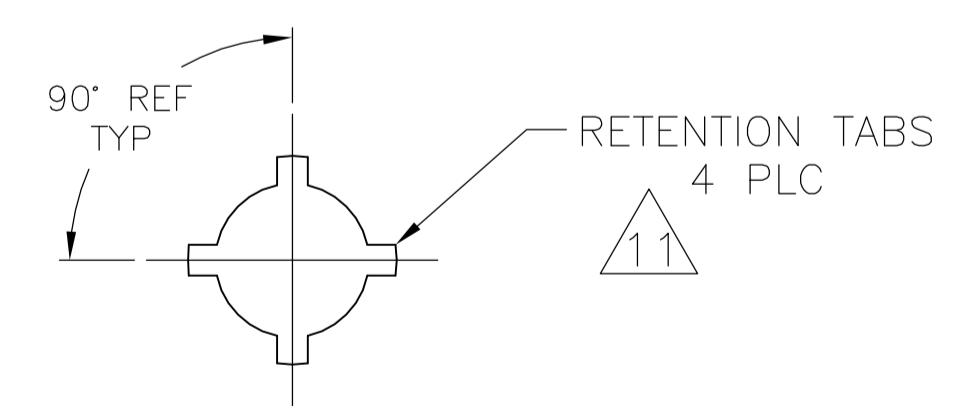
15 0.89
[.035] REF

INTERRUPTED WALL
FOR POSITION SIZES
6 AND ABOVE

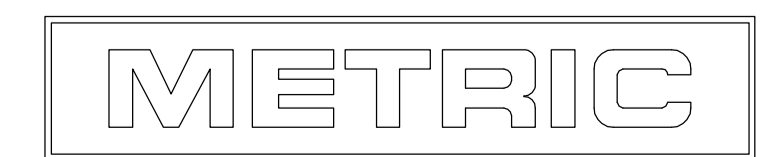
13



RECOMMENDED MOUNTING HOLE PATTERN
FOR 1.57 [.062] THICK P.C. BOARD 10



VIEW A-A
SCALE 10:1



THIS DRAWING IS A CONTROLLED DOCUMENT.		DIN L McEACHIN 24AUG00	Tyco Electronics Corporation Harrisburg, PA 17105-3608
DIMENSIONS: mm [INCHES]		CHK D BOSSI 24AUG00	
TOLERANCES UNLESS OTHERWISE SPECIFIED:		APP'D D BOSSI 24AUG00	NAME MTA-156 HEADER ASSEMBLY, POLARIZED LOCK, RIGHT ANGLE FRONT BEND, .045 SQUARE POST, TIN OR TIN LEAD PLATED, WITH PEGS, OMITTED POST
0 PLC ± -	1 PLC ± -	PRODUCT SPEC	APPLICATION SPEC
2 PLC ± 0.13 [.005]	3 PLC ± -	SIZE	CAGE CODE DRAWING NO
4 PLC ± -	ANGLES ± -	WEIGHT	A1 00779 C=647381
MATERIAL 1	FINISH 2	CUSTOMER DRAWING	SCALE 8:1 SHEET 2 OF 2 REV D